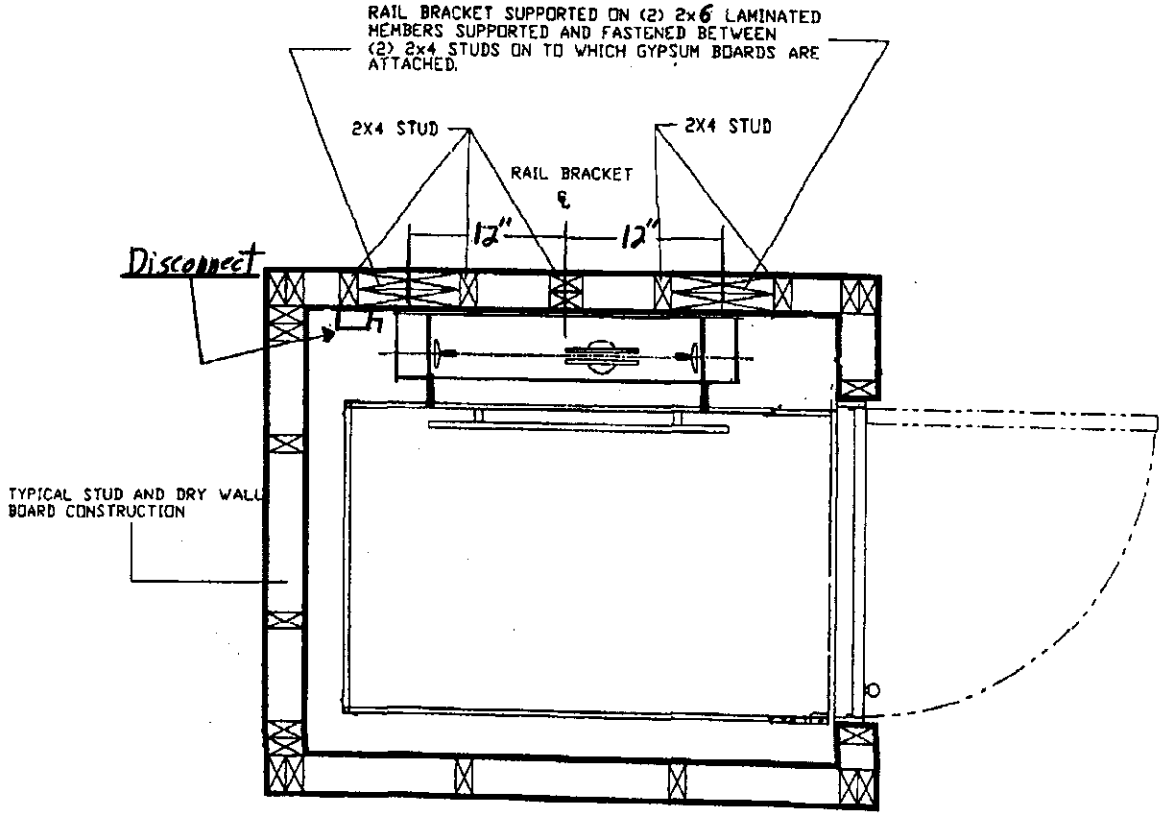


# Suggested Wall Configuration for Wood Construction



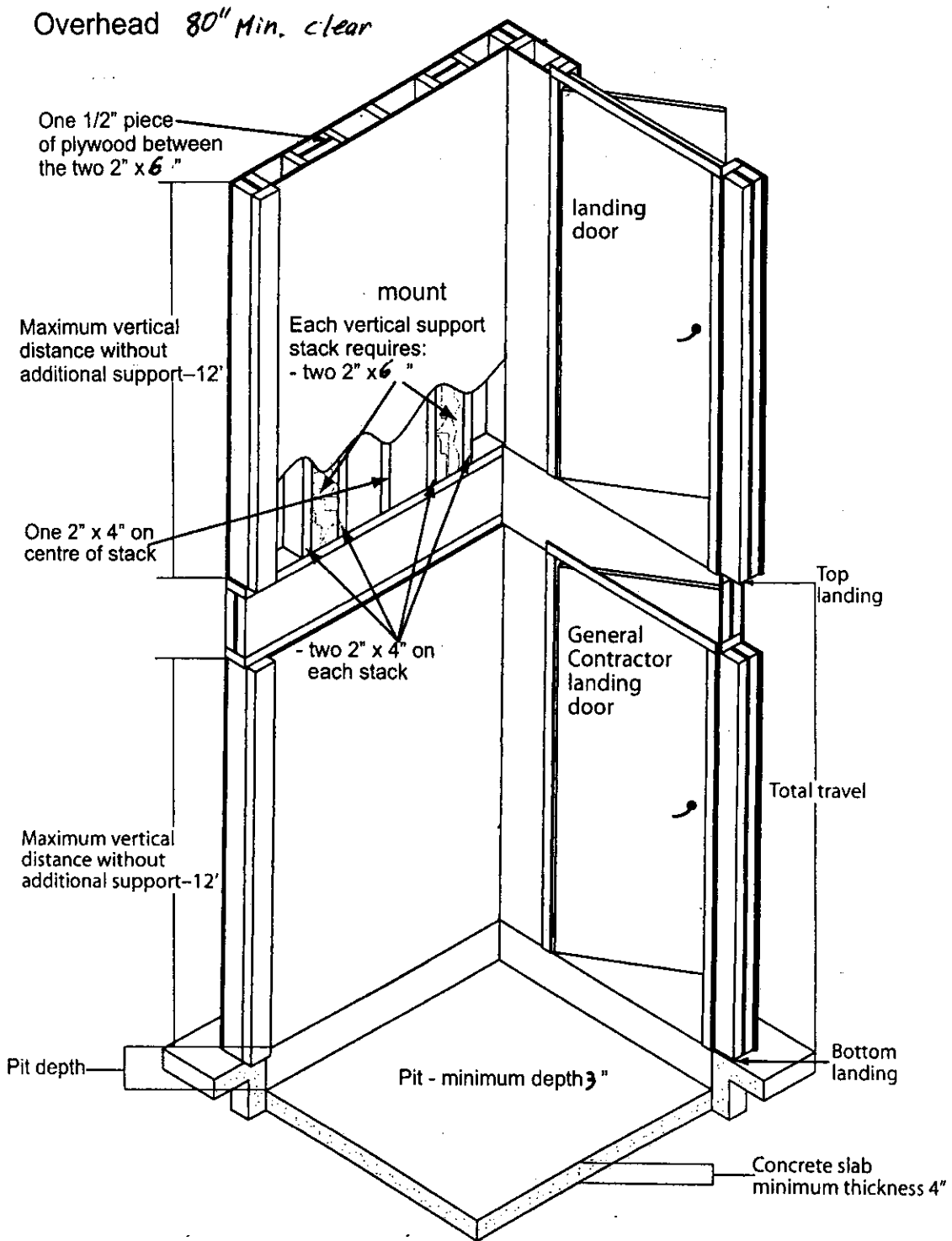
- NOTE:
1. THIS DRAWING IS FOR REFERENCE ONLY. BUILDING STRUCTURAL ENGINEER TO ENSURE THAT THE BUILDING AND HOISTWAY WILL SAFELY SUPPORT ALL LOADS IMPOSED BY THE LIFT EQUIPMENT
  2. FIRE RATING OF HOISTWAY IS SUBJECT TO LOCAL BUILDING CODES.

*Typical Dwg. RH Tower Shown, LH opposite. Savaris concord V1504*

**IMPORTANT**

These drawings are for reference purposes only. The building structural engineer must ensure that the building and hoisway will support all loads imposed by the lift equipment. Fire rating of hoistway is subject to local building codes.

*Typical* holstway mount



view for wood construction

# Structural views for elevator

## Overhead view of V1504 support wall

